

# SQUARE VERTICAL NEW VERSION

Radiator entirely made of aluminium

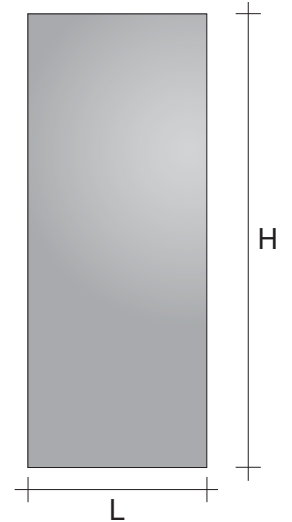


## ORDER EXAMPLE

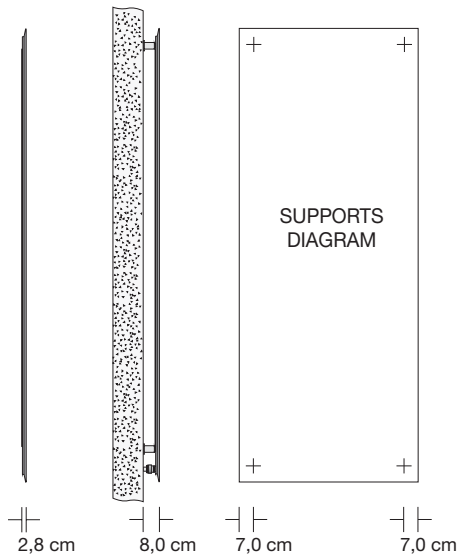
To correctly order this model follow the example specified below:

**PRODUCT** **SQV2#IDR200056 9010 R12**  
**SQV2#IDR200056** Article code found in the prices table on the side  
**9010** Colour code to be checked in the Tubes Colour Chart  
**R12** Connection code that defines the type of union for copper pipes or multi-layer pipes found herein at page 222

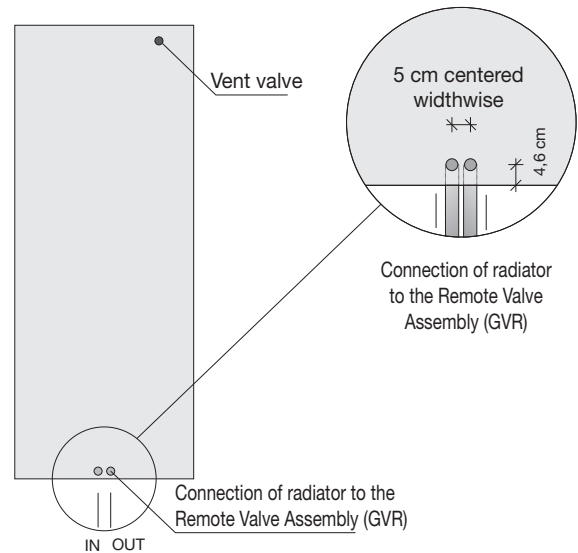
**ACCESSORIES**  
**Cod. GVR** One way Remote Valve Assembly, CHROME finish  
**Cod. GVRC#\*** One way Remote Valve Assembly, COLOUR finish\*  
 \* Specify the color code, e.g.: 9010, after checking the Tubes Colour Chart



## TECHNICAL DIAGRAM

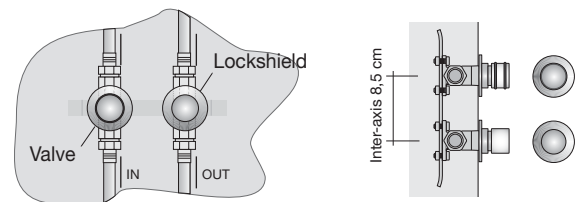


## CONNECTORS



The SQUARE model is connected to the heating system with remote connection GVR (Remote Valve Assembly) supplied as an accessory.

## Connection of radiator to the Remote Valve Assembly (GVR)



Connection of Remote Valve Assembly (GVR) to water system

## REMOTE VALVE ASSEMBLY

Valve and Lockshield assembly for remote connection (GVR), can be installed up to a maximum distance of 6 metres from the radiator.

Code	Description	Price (€)
GVR#	Valve and Lockshield assembly for remote connection, CHROME finish	
GVRC#	Valve and Lockshield assembly for remote connection, COLOUR finish	

## ADDITIONAL COLOUR CHARGE (see the official Tubes Colour Chart)

Additional colour charges are calculated over the Pure white price (Cat. C0), for the other categories the additional charges herein below are applicable:

Category C1 and C2 +15%  
 C3 Category +25%  
 RAL not included in the colour chart +30%  
 According to samples Request feasibility and cost estimate  
 Colours not available: GRGR

## PACKING

The cardboard packing box is included in the price of sale of the products, and it contains the complete wall fixing kit.

# SQUARE VERTICAL NEW VERSION

Radiator entirely made of aluminium



**PRICE ONLY FOR THE EXTERNAL PART (Square external plate)** Includes the external SQUARE plate.

Model	Thermal yield Watts $\Delta T$ 50°C	Thermal yield Watts $\Delta T$ 30°C	H (cm)	L (cm)	HYDRAULIC VERSION (€)	Water Content (l)
SQV2#IDR056056	294	161	56,0	56,0		0,38
SQV2#IDR071071	519	258	71,0	71,0		0,57
SQV2#IDR080071	559	289	80,0	71,0		0,63
SQV2#IDR080081	670	347		81,0		0,75
SQV2#IDR140046	552	280	140,0	46,0		0,60
SQV2#IDR140056	736	373		56,0		0,80
SQV2#IDR140071	921	467		71,0		1,00
SQV2#IDR140081	1105	560		81,0		1,20
SQV2#IDR160031	418	212	160,0	31,0		0,50
SQV2#IDR160046	626	318		46,0		0,75
SQV2#IDR160056	835	424		56,0		1,00
SQV2#IDR160071	1044	530		71,0		1,25
SQV2#IDR160081	1253	636		81,0		1,50
SQV2#IDR180031	468	238	180,0	31,0		0,60
SQV2#IDR180046	702	357		46,0		0,90
SQV2#IDR180056	936	476		56,0		1,20
SQV2#IDR180071	1170	595		71,0		1,50
SQV2#IDR180081	1404	714		81,0		1,80
SQV2#IDR200031	520	265	200,0	31,0		0,67
SQV2#IDR200046	779	398		46,0		1,00
SQV2#IDR200056	1039	531		56,0		1,33
SQV2#IDR200071	1299	664		71,0		1,67
SQV2#IDR200081	1559	796		81,0		2,00
SQV2#IDR220046	859	440	220,0	46,0		1,10
SQV2#IDR220056	1145	587		56,0		1,47
SQV2#IDR220071	1431	734		71,0		1,84
SQV2#IDR240046	940	484	240,0	46,0		1,20
SQV2#IDR240056	1253	645		56,0		1,60
SQV2#IDR240071	1567	806		71,0		2,00

# SQUARE HORIZONTAL NEW VERSION

Radiator entirely made of aluminium



## ORDER EXAMPLE

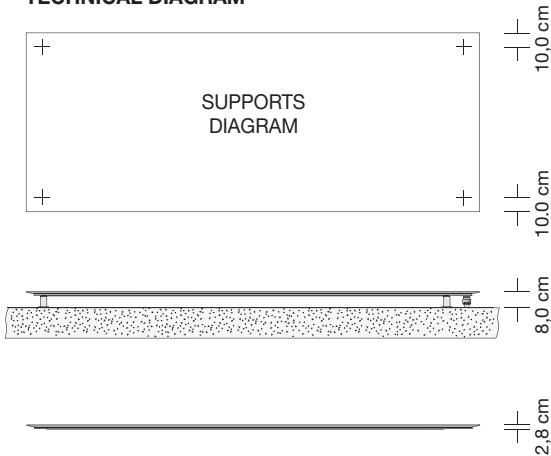
To correctly order this model follow the example specified below:

**PRODUCT** **SQO2#IDR200056 9010 R12**  
**SQO2#IDR200056** Article code found in the prices table on the side  
**9010** Colour code to be checked in the Tubes Colour Chart  
**R12** Connection code that defines the type of union for copper pipes or multi-layer pipes found herein at page 222

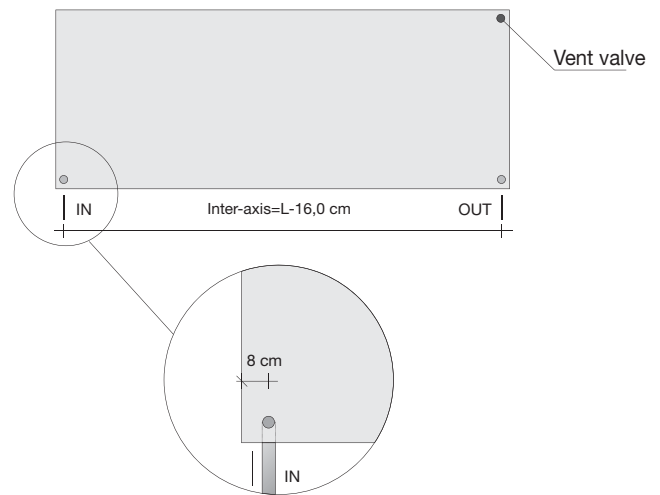
**ACCESSORIES**  
**Cod. GVR** One way Remote Valve Assembly, CHROME finish  
**Cod. GVRC#\*** One way Remote Valve Assembly, COLOUR finish\*  
 \* Specify the color code, e.g.: 9010, after checking the Tubes Colour Chart



## TECHNICAL DIAGRAM



## CONNECTORS



Connection of radiator to the Remote Valve Assembly (GVR)

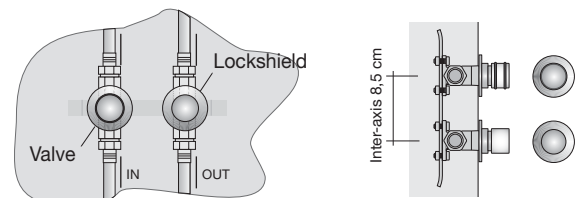
The SQUARE model is connected to the heating system with remote connection GVR (Remote Valve Assembly) supplied as an accessory.

## REMOTE VALVE ASSEMBLY

Valve and Lockshield assembly for remote connection (GVR), can be installed up to a maximum distance of 6 metres from the radiator.

Code	Description	Price (€)
GVR#	Valve and Lockshield assembly for remote connection, CHROME finish	
GVRC#	Valve and Lockshield assembly for remote connection, COLOUR finish	

## Connection of radiator to the Remote Valve Assembly (GVR)



Connection of Remote Valve Assembly (GVR) to water system

## ADDITIONAL COLOUR CHARGE (see the official Tubes Colour Chart)

Additional colour charges are calculated over the Pure white price (Cat. C0), for the other categories the additional charges herein below are applicable:

- Category C1 and C2 +15%
- C3 Category +25%
- RAL not included in the colour chart +30%
- According to samples Request feasibility and cost estimate
- Colours not available: GR CR

## PACKING

The cardboard packing box is included in the price of sale of the products, and it contains the complete wall fixing kit.

# SQUARE HORIZONTAL NEW VERSION

Radiator entirely made of aluminium



**PRICE ONLY FOR THE EXTERNAL PART (Square external plate)** Includes the external SQUARE plate.

Model	Thermal yield Watts $\Delta T$ 50°C	Thermal yield Watts $\Delta T$ 30°C	H (cm)	L (cm)	HYDRAULIC VERSION (€)	Water Content (l)
SQO2#IDR140046	625	326	46,0	140,0		0,70
SQO2#IDR140056	766	399	56,0			0,84
SQO2#IDR140071	968	503	71,0			1,26
SQO2#IDR140081	1096	567	81,0			1,40
SQO2#IDR160031	467	239	31,0	160,0		0,54
SQO2#IDR160046	715	372	46,0			0,80
SQO2#IDR160056	875	456	56,0			0,96
SQO2#IDR160071	1106	575	71,0			1,44
SQO2#IDR160081	1252	648	81,0			1,60
SQO2#IDR180031	526	269	31,0	180,0		0,61
SQO2#IDR180046	804	419	46,0			0,90
SQO2#IDR180056	985	513	56,0			1,08
SQO2#IDR180071	1245	647	71,0			1,62
SQO2#IDR180081	1409	729	81,0			1,80
SQO2#IDR200031	584	299	31,0	200,0		0,67
SQO2#IDR200046	893	465	46,0			1,00
SQO2#IDR200056	1094	570	56,0			1,20
SQO2#IDR200071	1383	719	71,0			1,80
SQO2#IDR200081	1565	810	81,0			2,00
SQO2#IDR220046	983	512	46,0	220,0		1,10
SQO2#IDR220056	1204	627	56,0			1,32
SQO2#IDR220071	1312	682	71,0			1,98
SQO2#IDR240046	1072	559	46,0	240,0		1,20
SQO2#IDR240056	1313	684	56,0			1,44
SQO2#IDR240071	1431	744	71,0			2,16

## ORDER EXAMPLE

To correctly order this model follow the example specified below:

**PRODUCT** **SQV#ELE200056 9010**  
 Article code found in the prices table here below  
 Colour code to be checked in the Tubes Colour Chart

**ACCESSORIES**  
**ZRF004** Kit with wireless room thermostat  
**Or ZRF005** Portable, programmable digital wireless chronothermostat kit

## Wireless connections



Portable, digital wireless chronothermostat  
**ZRF005**

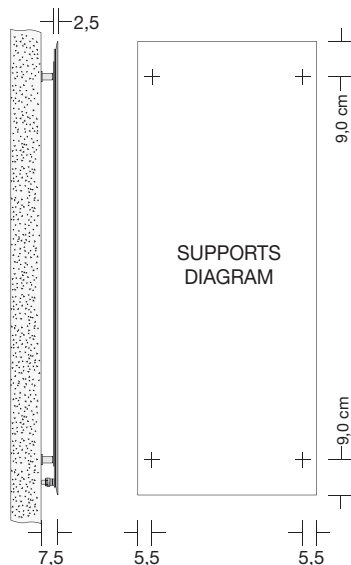


Wireless room thermostat  
**ZRF004**

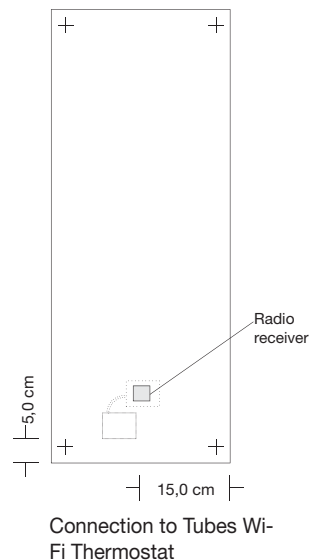
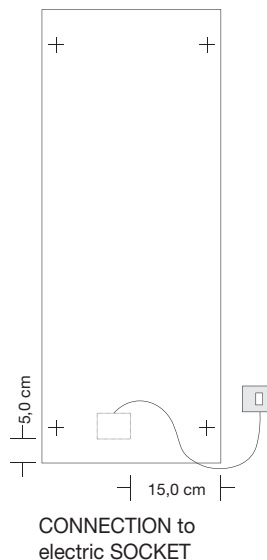
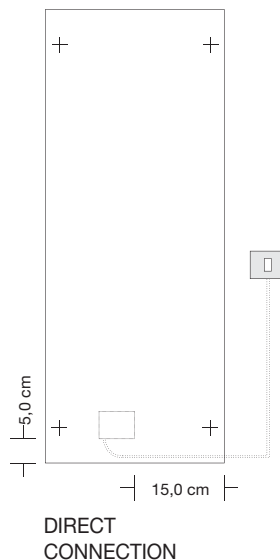


Code	L (cm)	H (cm)	Thermal yield Watts	Category C0 RAL 9010 (€)	Category C1 (€)	Category C3 (€)
SQV#ELE080081	81,0	80,0	630			
SQV#ELE140056	56,0	140,0	840			
SQV#ELE140081	81,0		1260			
SQV#ELE160031	31,0	160,0	490			
SQV#ELE160056	56,0		980			
SQV#ELE180031	31,0	180,0	560			
SQV#ELE180056	56,0		1120			
SQV#ELE200031	31,0	200,0	630			
SQV#ELE200056	56,0		1260			
SQV#ELE220056	56,0	220,0	1400			
SQV#ELE240056	56,0	240,0	1540			

## TECHNICAL DIAGRAM



## CONNECTION DIAGRAMS



## ADDITIONAL COLOUR CHARGE (see the official Tubes Colour Chart)

Additional colour charges are calculated over the Pure white price (Cat. C0), for the other categories the additional charges herein below are applicable:

- Category C1 and C2 +15%
- C3 Category +25%
- RAL not included in the colour chart +30%
- According to samples Request feasibility and cost estimate
- Colours not available: GRGR

## ELECTRIC ADJUSTERS

Electrical setting is via the use of the following thermostats that regulate the room temperature by interacting with up to max 5 radiators.

Code	Description	Price (€)
ZRF004	Kit with WALL type room thermostat (radio frequency)	
ZRF005	Kit with TABLE type room thermostat (radio frequency) with weekly programming	

The price of the two kits mentioned above includes the wall box radiofrequency receiver that strictly must be installed.

## ORDER EXAMPLE

To correctly order this model follow the example specified below:

**PRODUCT** **SQO#ELE180056 9010**  
 SQO#ELE180056 Article code found in the prices table here below  
 9010 Colour code to be checked in the Tubes Colour Chart

**ACCESSORIES**  
 ZRF004 Kit with wireless room thermostat  
 Or ZRF005 Portable, programmable digital wireless chronothermostat kit



Wireless connections

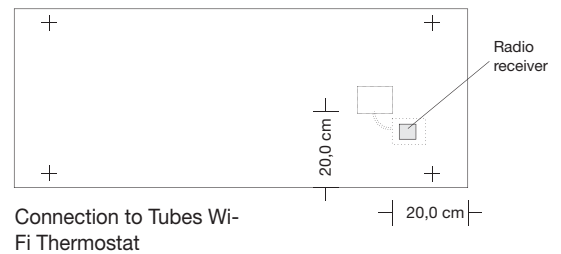
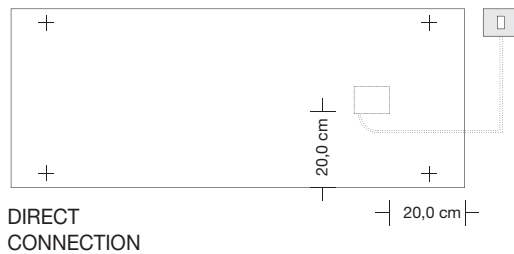
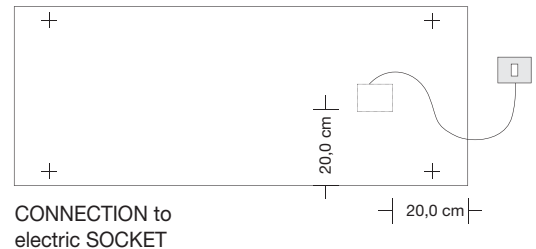
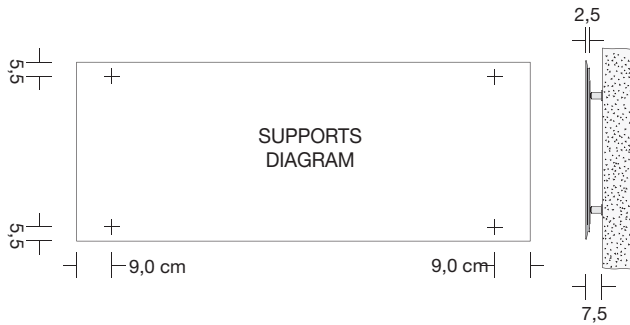


Wireless room thermostat  
**ZRF004**



Portable, digital wireless chronothermostat  
**ZRF005**

Code	L (cm)	H (cm)	Thermal yield Watts	Category C0 RAL 9010 (€)	Category C1 (€)	Category C3 (€)
SQO#ELE080081	80,0	81,0	630			
SQO#ELE140056	140,0	56,0	840			
SQO#ELE140081		81,0	1260			
SQO#ELE160031	160,0	31,0	490			
SQO#ELE160056		56,0	980			
SQO#ELE180031	180,0	31,0	560			
SQO#ELE180056		56,0	1120			
SQO#ELE200031	200,0	31,0	630			
SQO#ELE200056		56,0	1260			
SQO#ELE220056	220,0	56,0	1400			
SQO#ELE240056	240,0	56,0	1540			



## ADDITIONAL COLOUR CHARGE (see the official Tubes Colour Chart)

Additional colour charges are calculated over the Pure white price (Cat. C0), for the other categories the additional charges herein below are applicable:

Category C1 and C2 +15%

C3 Category +25%

RAL not included in the colour chart +30%

According to samples Request feasibility and cost estimate

Colours not available: GRGR

## ELECTRIC ADJUSTERS

Electrical setting is via the use of the following thermostats that regulate the room temperature by interacting with up to max 5 radiators.

Code	Description	Price (€)
ZRF004	Kit with WALL type room thermostat (radio frequency)	
ZRF005	Kit with TABLE type room thermostat (radio frequency) with weekly programming	

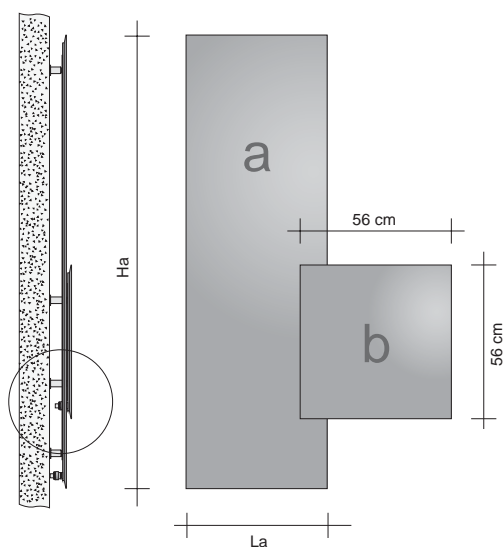
The price of the two kits mentioned above includes the wall box radiofrequency receiver that strictly must be installed.

**ORDER EXAMPLE**

To correctly order this model follow the example specified below:

**PRODUCT** **SQC01#IDR200056 9010 R12**  
**SQC01#IDR200056** Article code found in the prices table here below  
**9010** Colour code to be checked in the Tubes Colour Chart  
**R12** Connection code that defines the type of union for copper pipes or multi-layer pipes found herein at page 222

**ACCESSORIES**  
**Cod. GVR** One way Remote Valve Assembly, CHROME finish  
**Cod. GVRC#\*** One way Remote Valve Assembly, COLOUR finish\*  
 \* Specify the color code, e.g.: 9010, after checking the Tubes Colour Chart



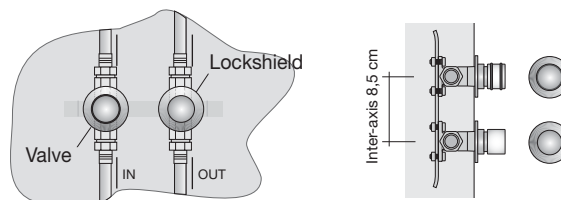
Code	H (cm)	L (cm)	Watts ΔT 50°C	Price A and B white (€)	Price A coloured B white (€)	Price A white B coloured (€)	Price A and B coloured (€)
<b>SQC01#200056056056</b>							
a SQV2#IDR200056	200,0	56,0	1352				
b SQV2#IDR056056	56,0	56,0					
<b>SQC01#200046056056</b>							
a SQV2#IDR200046	200,0	46,0	1092				
b SQV2#IDR056056	56,0	56,0					
<b>SQC01#180056056056</b>							
a SQV2#IDR180056	180,0	56,0	1249				
b SQV2#IDR056056	56,0	56,0					
<b>SQC01#180046056056</b>							
a SQV2#IDR180046	180,0	46,0	1015				
b SQV2#IDR056056	56,0	56,0					
<b>SQC01#160056056056</b>							
a SQV2#IDR160056	160,0	56,0	1148				
b SQV2#IDR056056	56,0	56,0					
<b>SQC01#160046056056</b>							
a SQV2#IDR160046	160,0	46,0	939				
b SQV2#IDR056056	56,0	56,0					

**REMOTE VALVE ASSEMBLY**

Valve and Lockshield assembly for remote connection (GVR), can be installed up to a maximum distance of 6 metres from the radiator.

Code	Description	Price (€)
GVR#	Valve and Lockshield assembly for remote connection, CHROME finish	
GVRC#	Valve and Lockshield assembly for remote connection, COLOUR finish	

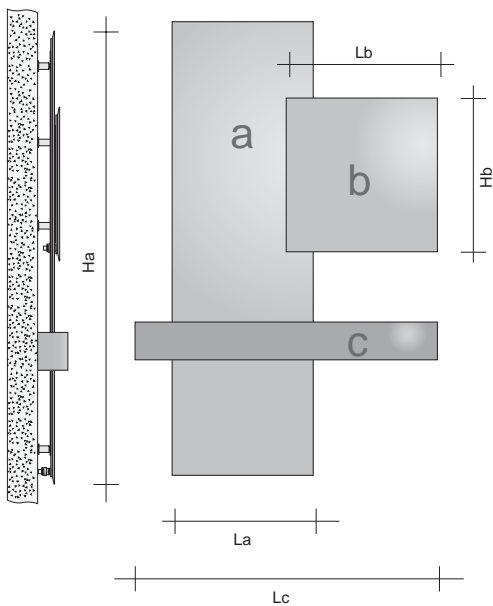
**Connection of radiator to the Remote Valve Assembly (GVR)**



Connection of Remote Valve Assembly (GVR) to water system

**WATER VERSION**

(for the ELECTRIC version request a cost estimate from our sales department)



**NOTES**

The Maniglione «C» is always and only Electric

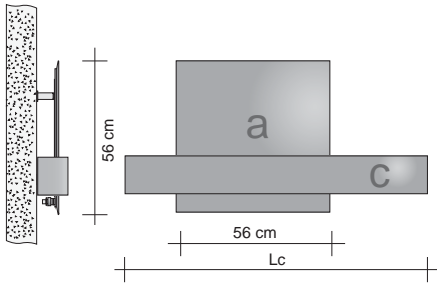
Code	H (cm)	L (cm)	Watts ΔT 50°C	Price A and B white (€)	Price A coloured B white (€)	Price A white B coloured (€)	Price A and B coloured (€)
<b>SQC02#200046056056SQM100</b>							
a SQV2#IDR200046	200,0	46,0	1152				
b SQV2#IDR056056	56,0	56,0					
c SQM#ELE100	15,0	100,0					
<b>SQC02#200046056056SQM120</b>							
a SQV2#IDR200046	200,0	46,0	1162				
b SQV2#IDR056056	56,0	56,0					
c SQM#ELE120	15,0	120,0					
<b>SQC02#200046056056SQM150</b>							
a SQV2#IDR200046	200,0	46,0	1187				
b SQV2#IDR056056	56,0	56,0					
c SQM#ELE150	15,0	150,0					
<b>SQC02#200056056056SQM120</b>							
a SQV2#IDR200056	200,0	56,0	1422				
b SQV2#IDR056056	56,0	56,0					
c SQM#ELE120	15,0	120,0					
<b>SQC02#200056056056SQM150</b>							
a SQV2#IDR200056	200,0	56,0	1447				
b SQV2#IDR056056	56,0	56,0					
c SQM#ELE150	15,0	150,0					
<b>SQC02#180046056056SQM100</b>							
a SQV2#IDR180046	180,0	46,0	1075				
b SQV2#IDR056056	56,0	56,0					
c SQM#ELE100	15,0	100,0					
<b>SQC02#180046056056SQM120</b>							
a SQV2#IDR180046	180,0	46,0	1085				
b SQV2#IDR056056	56,0	56,0					
c SQM#ELE120	15,0	120,0					
<b>SQC02#180046056056SQM150</b>							
a SQV2#IDR180046	180,0	46,0	1110				
b SQV2#IDR056056	56,0	56,0					
c SQM#ELE150	15,0	150,0					
<b>SQC02#180056056056SQM120</b>							
a SQV2#IDR180046	180,0	46,0	1319				
b SQV2#IDR056056	56,0	56,0					
c SQM#ELE120	15,0	120,0					
<b>SQC02#180056056056SQM150</b>							
a SQV2#IDR180046	180,0	46,0	1344				
b SQV2#IDR056056	56,0	56,0					
c SQM#ELE150	15,0	150,0					
<b>SQC02#180056056056SQM180</b>							
a SQV2#IDR180046	180,0	46,0	1369				
b SQV2#IDR056056	56,0	56,0					
c SQM#ELE180	15,0	180,0					
<b>SQC02#160046056056SQM100</b>							
a SQV2#IDR160046	160,0	46,0	999				
b SQV2#IDR056056	56,0	56,0					
c SQM#ELE100	15,0	100,0					
<b>SQC02#160046056056SQM120</b>							
a SQV2#IDR160046	160,0	46,0	1009				
b SQV2#IDR056056	56,0	56,0					
c SQM#ELE120	15,0	120,0					
<b>SQC02#160046056056SQM150</b>							
a SQV2#IDR160046	160,0	46,0	1034				
b SQV2#IDR056056	56,0	56,0					
c SQM#ELE150	15,0	150,0					
<b>SQC02#160056056056SQM120</b>							
a SQV2#IDR160056	160,0	56,0	1218				
b SQV2#IDR056056	56,0	56,0					
c SQM#ELE120	15,0	120,0					
<b>SQC02#160056056056SQM150</b>							
a SQV2#IDR160056	160,0	56,0	1243				
b SQV2#IDR056056	56,0	56,0					
c SQM#ELE150	15,0	150,0					



**WATER VERSION**

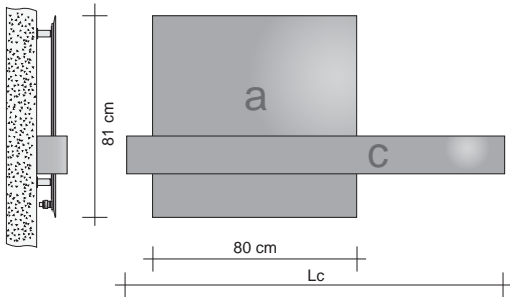
(for the ELECTRIC version request a cost estimate from our sales department)

SQC03#056056 SQM120..



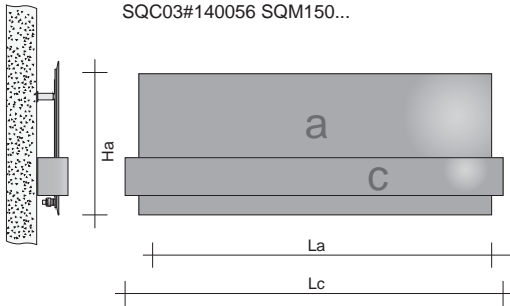
Code	H (cm)	L (cm)	Watts $\Delta T 50^{\circ}C$	Price A and B white (€)	Price A coloured B white (€)	Price A white B coloured (€)	Price A and B coloured ((€)
<b>SQC03#056056SQM100</b>							
a SQV2#IDR056056	56,0	56,0	373				
c SQM#ELE100	15,0	100,0					
<b>SQC03#056056SQM120</b>							
a SQV2#IDR056056	56,0	56,0	383				
c SQM#ELE120	15,0	120,0					
<b>SQC03#056056SQM150</b>							
a SQV2#IDR056056	56,0	56,0	408				
c SQM#ELE150	15,0	150,0					

SQC03#080081 SQM150..



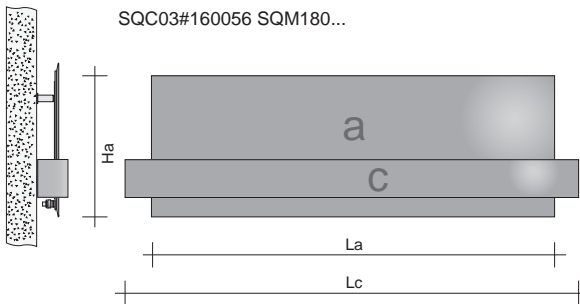
<b>SQC03#080081SQM100</b>							
a SQV2#IDR080081	80,0	81,0	730				
c SQM#ELE100	15,0	100,0					
<b>SQC03#080081SQM120</b>							
a SQV2#IDR080081	80,0	81,0	740				
c SQM#ELE120	15,0	120,0					
<b>SQC03#080081SQM150</b>							
a SQV2#IDR080081	80,0	81,0	765				
c SQM#ELE150	15,0	150,0					

SQC03#140056 SQM150..



<b>SQC03#140046SQM150</b>							
a SQO2#IDR140046	46,0	140,0	647				
c SQM#ELE150	15,0	150,0					
<b>SQC03#140056SQM150</b>							
a SQO2#IDR140056	56,0	140,0	831				
c SQM#ELE150	15,0	150,0					
<b>SQC03#140071SQM150</b>							
a SQO2#IDR140071	71,0	140,0	1016				
c SQM#ELE150	15,0	150,0					

SQC03#160056 SQM180..

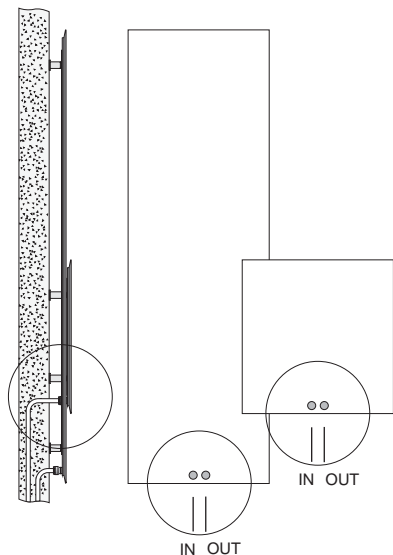


<b>SQC03#140046SQM180</b>							
a SQO2#IDR140046	46,0	140,0	672				
c SQM#ELE180	15,0	180,0					
<b>SQC03#140056SQM180</b>							
a SQO2#IDR140056	56,0	140,0	856				
c SQM#ELE180	15,0	180,0					
<b>SQC03#140071SQM180</b>							
a SQO2#IDR140071	71,0	140,0	1041				
c SQM#ELE180	15,0	180,0					
<b>SQC03#160046SQM180</b>							
a SQO2#IDR160046	46,0	160,0	746				
c SQM#ELE180	15,0	180,0					
<b>SQC03#160056SQM180</b>							
a SQO2#IDR160056	56,0	160,0	955				
c SQM#ELE180	15,0	180,0					
<b>SQC03#160071SQM180</b>							
a SQO2#IDR160071	71,0	160,0	1164				
c SQM#ELE180	15,0	180,0					

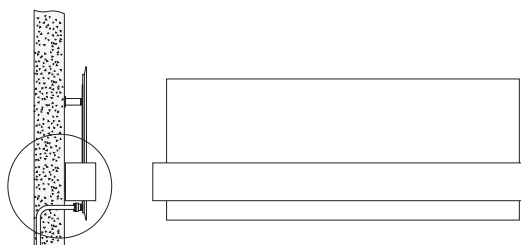
## CONNECTORS

The technical department personnel are always at the customers' disposal to forward them the technical specifications of the model ordered with all the dimensions and instructions needed for the water system connection

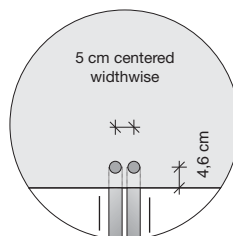
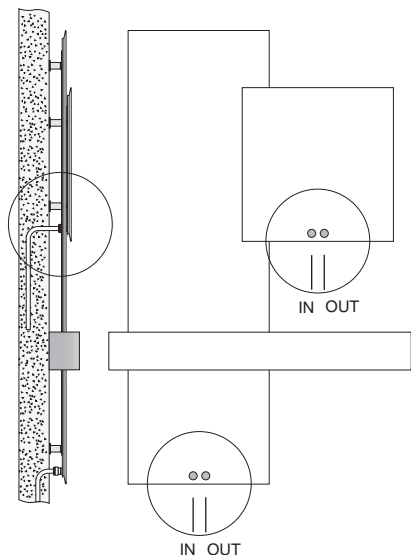
### Square COMPOSITION 01



### Square COMPOSITION 03



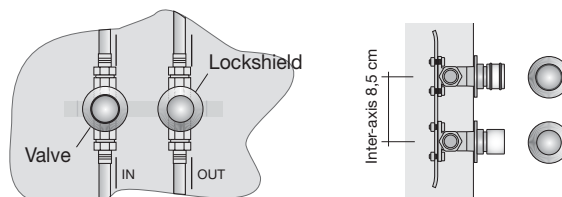
### Square COMPOSITION 02



Connection of radiator to the Remote Valve Assembly (GVR)

The SQUARE model is connected to the heating system via the remote connection GVR (Remote Valve Assembly) supplied as an accessory, whereas the "maniglione" is always and only Electric.

### Connection of radiator to the Remote Valve Assembly (GVR)



Connection of Remote Valve Assembly (GVR) to water system

#### REMOTE VALVE ASSEMBLY

Valve and Lockshield assembly for remote connection (GVR), can be installed up to a maximum distance of 6 metres from the radiator.

Code	Description	Price (€)
GVR#	Valve and Lockshield assembly for remote connection, CHROME finish	
GVRC#	Valve and Lockshield assembly for remote connection, COLOUR finish	

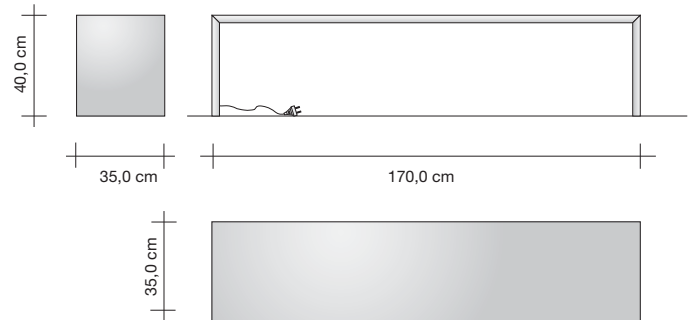
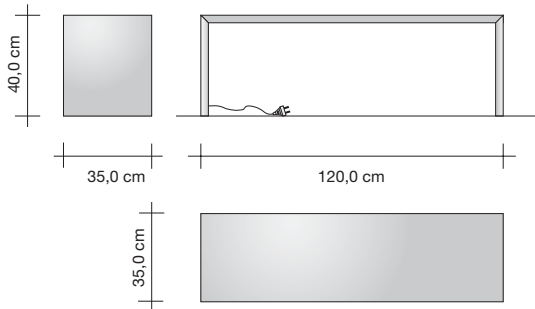
## ORDER EXAMPLE

To correctly order this model follow the example specified below:

<b>PRODUCT</b>	<b>SQB#120040 035 9010</b>
SQB#120040035	Article code found in the prices table here below
9010	Colour code to be checked in the Tubes Colour Chart
<b>ACCESSORIES</b>	
ZRF004	Kit with wireless room thermostat
Or ZRF005	Portable, programmable digital wireless chronothermostat kit

SQUARE BENCH was designed for specific areas inside Spas, Wellness centres and Bathrooms. The external frame is entirely made of carbon steel whereas the internal core (i.e. the electric heating part) is entirely made of aluminium. SQUARE BENCH is connected to the electrical system and can be equipped with a room thermostat for temperature adjustment, or with a chronothermostat/weekly programming unit with four customizable settings. SQUARE BENCH is an IMQ-ENEC03 certified product.

Model	L (cm)	H (cm)	seat (cm)	Thermal yield Watts	Category C0 RAL 9010 (€)	Category C1 (€)	Category C3 (€)
SQB#120	120,0	40,0	35	55			
SQB#170	170,0	40,0	35	80			



## ADDITIONAL COLOUR CHARGE (see the official Tubes Colour Chart)

Additional colour charges are calculated over the Pure white price (Cat. C0), for the other categories the additional charges herein below are applicable:

C2 Category	+20%
RAL not included in the colour chart	+30%
According to samples	Request feasibility and cost estimate
Colours not available:	GRCR

## ELECTRIC ADJUSTERS

Electrical setting is via the use of the following thermostats that regulate the room temperature by interacting with up to max 5 radiators.

Code	Description	Price (€)
ZRF004	Kit with WALL type room thermostat (radio frequency)	
ZRF005	Kit with TABLE type room thermostat (radio frequency) with weekly programming	

The price of the two kits mentioned above includes the wall box radiofrequency receiver that strictly must be installed.

## Wireless connections



Wireless room thermostat  
**ZRF004**



Portable, digital wireless chronothermostat  
**ZRF005**

## ORDER EXAMPLE

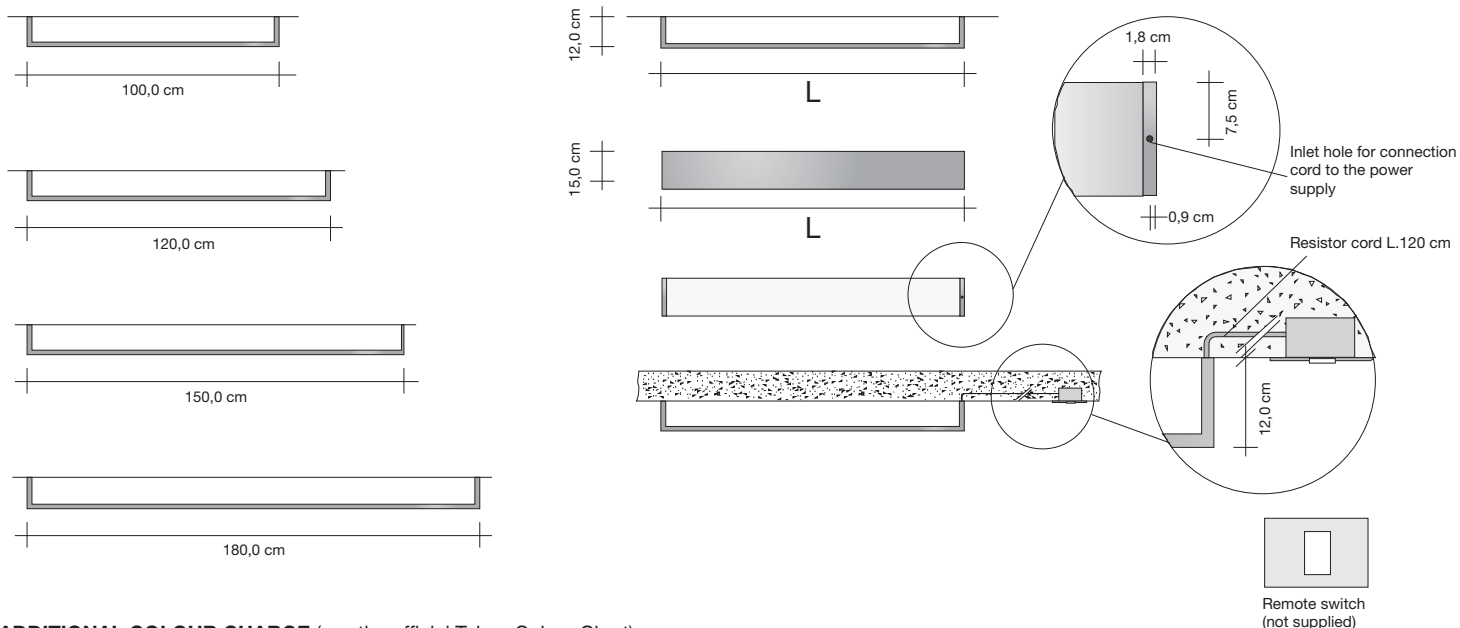
To correctly order this model follow the example specified below:

**PRODUCT** **SQM#ELE100 015 9010**  
**SQM#ELE100 015 9010** Article code found in the prices table here below  
**9010** Colour code to be checked in the Tubes Colour Chart

## Procedures for connections

SQUARE MANIGLIONE is connected to the electric power supply with a concealed connection, therefore a flexible ducting with max. 13 mm diameter is needed to pass through the electric wires (not supplied). The exit position of the flexible ducting is indicated in the technical diagram with the symbol “•”. To turn the electric “maniglione” on and off we recommend you install an on/off switch (not supplied). For further details see the technical chart here below.

Model	L (cm)	H (cm)	Thermal yield Watts	Category C0 RAL 9010 (€)	Category C1 (€)	Category C3 (€)
SQM#100	100,0	15,0	100			
SQM#120	120,0	15,0	115			
SQM#150	150,0	15,0	135			
SQM#180	180,0	15,0	150			



## ADDITIONAL COLOUR CHARGE (see the official Tubes Colour Chart)

Additional colour charges are calculated over the Pure white price (Cat. C0), for the other categories the additional charges herein below are applicable:

C2 Category +15%  
 RAL not included in the colour chart +30%  
 According to samples Request feasibility and cost estimate  
 Colours not available: GRCC

## ELECTRIC ADJUSTERS

Electrical setting is via the use of the following thermostats that regulate the room temperature by interacting with up to max 5 radiators.

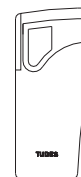
Code	Description	Price (€)
ZRF004	Kit with WALL type room thermostat (radio frequency)	
ZRF005	Kit with TABLE type room thermostat (radio frequency) with weekly programming	

The price of the two kits mentioned above includes the wall box radiofrequency receiver that strictly must be installed.

## Wireless connections



Wireless room thermostat  
**ZRF004**



Portable, digital wireless chronothermostat  
**ZRF005**